

**Pace DC550P**

Operator's Manual




[www.pacemicro.com](http://www.pacemicro.com)



Manufactured under license from Dolby Laboratories.  
 "Dolby" and the double-D symbol are trademarks of  
 Dolby Laboratories. Confidential Unpublished Works.  
 ©1992-1997 Dolby Laboratories, Inc. All rights reserved.

This product incorporates copyright protection technology that is protected by U.S. patents and other intellectual property rights. Use of this copyright protection technology must be authorized by Macrovision, and is intended for home and other limited pay-per-view uses only unless otherwise authorized by Macrovision. Reverse engineering or disassembly is prohibited.

Pace and  are trademarks and/or registered trademarks of Pace Micro Technology plc.

PowerKEY and the PowerKEY design are registered trademarks of Scientific-Atlanta, Inc.

Other trademarks listed herein are the property of their respective owners.

**The model and serial number of your Pace DC550P home terminal are on a label on its base.**

**Copyright © 2006 Pace Micro Technology plc All rights reserved**

IMPORTANT SAFETY INSTRUCTIONS ..... 3

REAR PANEL ..... 8

CONNECTING TO THE AC POWER SUPPLY ..... 10

    Connecting your TV to the AC power supply ..... 10

    Connecting the power cord to your home terminal ... 10

    Connecting equipment to the AC wall outlets ..... 10

OPERATING YOUR HOME TERMINAL ..... 13

    Turning your home terminal on and off ..... 13

    Using your remote control ..... 14

    Activating baseband loopthrough for a DVD  
 or similar equipment ..... 14

    Using the front-panel buttons ..... 15

    Using a bypass module ..... 16

    Lightning storms ..... 16

SOLVING PROBLEMS ..... 17

## SAFETY INFORMATION

This digital home terminal has been manufactured and tested with your safety in mind. However, improper use can result in potential electric shock or fire hazards. To avoid defeating the safeguards that have been built into your home terminal, please observe the precautions discussed in this document.

### WARNINGS ON YOUR HOME TERMINAL



The lightning flash with arrowhead symbol, within a triangle, is intended to alert you to the presence of uninsulated “dangerous” voltages within your home terminal's enclosure that may be of sufficient magnitude to constitute a risk of electric shock to persons.



The exclamation point within a triangle is intended to alert you to the presence of important instructions in the literature accompanying your home terminal.

### OTHER WARNINGS

TO REDUCE THE RISK OF ELECTRIC SHOCK, DO NOT REMOVE THE COVER OF YOUR HOME TERMINAL.

THERE ARE NO USER-SERVICEABLE PARTS INSIDE IT.

TO REDUCE THE RISK OF FIRE OR ELECTRIC SHOCK, DO NOT EXPOSE THIS HOME TERMINAL TO RAIN OR MOISTURE.

DO NOT PERFORM ANY SERVICING UNLESS YOU ARE QUALIFIED TO DO SO. REFER ALL SERVICING TO QUALIFIED SERVICE PERSONNEL.

### INSTALLATION

The installation of your home terminal should be carried out by a qualified installer and should conform to local codes.

#### Note to the installer

This reminder is provided to call the attention of the cable-TV-system installer to Section 820-40 of the National Electrical Code (USA), which provides guidelines for proper grounding and, in particular, specifies that the cable ground shall be connected to the grounding system of the building, as close to the point of cable entry as is practical.

#### Service address:

Pace Micro Technology (Support Services) Ltd.  
3701 FAU Boulevard, Suite 200  
Boca Raton  
Florida, 33431  
U.S.A.

## IMPORTANT SAFETY INSTRUCTIONS

**Before you install or use the apparatus, you must read and understand these Important Safety Instructions. At all times when using the apparatus you must follow these Important Safety Instructions to reduce the risk of fire, electrical shock and injury to persons.**

1. Read these instructions.
2. Keep these instructions.
3. Heed all warnings.
4. Follow all instructions.
5. Do not use this apparatus near water.
6. Clean only with dry cloth.
7. Do not block any ventilation openings. Install in accordance with the manufacturer's instructions.
8. Do not install near any heat sources such as radiators, heat registers, stoves, or other apparatus (including amplifiers) that produce heat.
9. Do not defeat the safety purpose of the polarized or grounding-type plug. A polarized plug has two blades with one wider than the other. A grounding type plug has two blades and a third grounding prong. The wide blade or the third prong are provided for your safety. If the provided plug does not fit into your outlet, consult an electrician for replacement of the obsolete outlet.
10. Protect the power cord from being walked on or pinched particularly at plugs, convenience receptacles, and the point where they exit from the apparatus.
11. Only use attachments/accessories specified by the manufacturer.
12. Use only with the cart, stand, tripod, bracket, or table specified by the manufacturer, or sold with the apparatus. When a cart is used, use caution when moving the cart/apparatus combination to avoid injury from tip-over.



13. Unplug this apparatus during lightning storms or when unused for long periods of time.

Refer all servicing to qualified service personnel. Servicing is required when the apparatus has been damaged in any way, such as power-supply cord or plug is damaged, liquid has been spilled or objects have fallen into the apparatus, the apparatus has been exposed to rain or moisture, does not operate normally, or has been dropped.

## SAFETY INFORMATION (CONT.)

In addition to the Important Safety Instructions, please read the Safety Information below.

### **Power sources**

You must operate your home terminal only from the type of power source indicated on the marking label. If you are not sure of the type of power supply to your home, consult your dealer or local power company.

### **Overloading**

Do not overload wall outlets, extension cords or other power outlets as this can result in a risk of fire or electric shock.

### **Lightning**

For added protection for your home terminal during a lightning storm, or when it is left unattended and unused for long periods of time, disconnect the antenna, cable system and telecommunication line cord from your home terminal. See also item 13 in the Important Safety Instructions.

### **Placement and mounting**

Do not place your home terminal on an unstable or uneven surface. Your home terminal may fall, causing serious injury to a child or adult and serious damage to your home terminal. If you mount your home terminal, for example to a wall or ceiling, follow the manufacturer's instructions and use a mounting accessory recommended by the manufacturer. See also item 12 in the Important Safety Instructions.

### **Ventilation**

Slots and openings in the casing of your home terminal are provided for ventilation, to ensure reliable operation of your home terminal and to protect it from overheating.

- never block the ventilation openings by placing your home terminal on a bed, sofa, rug or other similar surface;
- never cover the ventilation openings with items such as newspapers, table-cloths or curtains;
- do not place your home terminal in a built-in installation such as a bookcase or rack unless proper ventilation is provided or you have adhered to the manufacturer's instructions;
- maintain a minimum distance of 3 inches around your home terminal for sufficient ventilation.

See also item 7 in the Important Safety Instructions.

### **Water and moisture**

Do not expose this home terminal to dripping or splashing and ensure that no objects filled with liquids, such as vases, are placed on your home terminal. See also item 5 in the Important Safety Instructions.

### **Entry of objects and liquids**

Never push objects of any kind into your home terminal through openings as they may touch dangerous voltage points or short-out parts that could result in fire or electric shock. Never spill liquid of any kind on your home terminal.

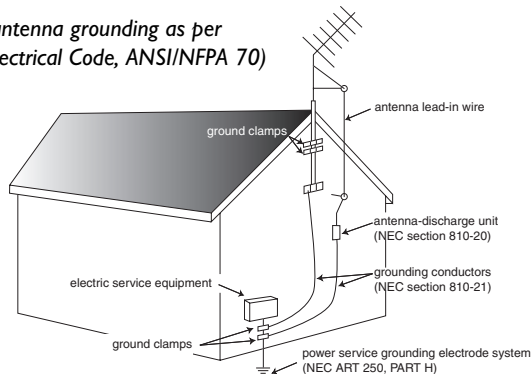
### Risk of fire or scorching

Never place naked flame sources, such as lighted candles, on your home terminal.

### Outdoor antenna grounding

Be sure that any outside antenna or cable system connected to your home terminal is grounded so as to provide some protection against voltage surges and static charges that have built up. Article 810 of the National Electrical Code (USA), ANSI/NFPA 70 provides information with regard to proper grounding of the mast and supporting structure, grounding of the lead-in wire to an antenna-discharge unit, size of grounding conductors, location of antenna-discharge unit, connection to grounding electrodes and requirements for the grounding electrode. See the diagram below.

*(Example antenna grounding as per National Electrical Code, ANSI/NFPA 70)*



### Power lines

You must not locate an outside antenna system in the vicinity of overhead power lines or other electric light or power circuits, or where it can fall into such power lines or circuits. When installing an outside antenna system, you must take extreme care to avoid touching such power lines or circuits, as contact with them might be fatal.

### Transporting

Move the combination of home terminal and cart with care. Quick stops, excessive force and uneven surfaces may cause the combination of home terminal and cart to overturn. See also item 12 in the Important Safety Instructions.

### Ambient temperature

The operating temperature range of your home terminal is 32-104°F. If the ambient temperature around your home terminal falls outside this range, you must correct this in order for your home terminal to work correctly and safely. For example, if the temperature is too high, switch on the air conditioning.

### Replacement parts

When replacement parts are required, be sure that the service technician has used replacement parts specified by the manufacturer or that have the same characteristics as the original part. Unauthorized substitutions may result in fire, electric shock or other hazards. See also item 14 in the Important Safety Instructions.

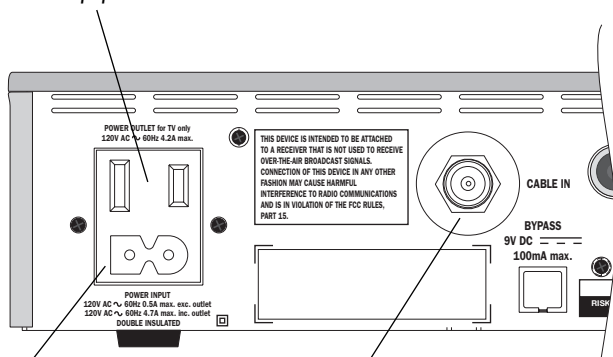
## SAFETY INFORMATION (CONT.)

### Safety check

Upon completion of any servicing or repairs to your home terminal, ask the service technician to perform safety checks to determine that your home terminal is in its proper operating condition. See also item 14 in the Important Safety Instructions.

### SAVE THIS INFORMATION FOR FUTURE REFERENCE

*The POWER OUTLET plug is designed only for connection to the AC power cord for a TV. The maximum power it can supply is 500 watts. Do not connect any equipment that uses more than 500 watts, or any non-TV equipment such as a toaster or hair drier.*



POWER INPUT

*The CABLE IN connector is designed for connection to a cable network only. You must not connect any other equipment, such as a VCR, to this input.*

### SAFETY ASPECTS OF CONNECTIONS

Full details of the rear panel are on page 8.

#### Connecting

Do not connect your home terminal (or any other equipment such as a TV or VCR) to the power supply until you have properly connected all the other cables.

Your home terminal operates with a 120 V AC, 60 Hz power supply. Do not connect your home terminal to any supply other than this.

This home terminal is equipped with a two-wire power cord, with a polarized plug at one end. The other end of the cord is fitted with a polarized connector, which is shaped such that it can only be fitted one way into the power input jack of your home terminal. Connect this end first, before inserting the polarized plug into the wall socket-outlet.

#### Disconnecting

Disconnect your home terminal from the power supply before you disconnect any other equipment from its rear panel.

The only way to disconnect your home terminal from the power supply is to remove the power cord from the wall socket-outlet. Your home terminal must therefore be installed near to the wall socket-outlet, which should be easily accessible.

## EPILEPSY AND ON-SCREEN IMAGES

Certain people are susceptible to epileptic seizures or losing consciousness when faced with certain types of flashing lights in our daily environment.

These people are exposed to the risk of seizures if they watch certain television images or if they view certain images while they are browsing the Web. These phenomena may appear even when the subject has no previous history of this problem or has never suffered an epileptic seizure.

If you, or a member of your family, has already suffered symptoms linked to epilepsy (seizure or loss of consciousness) in the presence of stimulation by light, please consult your doctor before using this product.

If you or any person using the equipment experiences dizziness, involuntary movements or convulsion, please immediately stop viewing and consult a doctor.

When you are browsing the Web or playing a Web-based game, take the following precautions:

- Use the equipment in a well-lit room, and turn down the brightness of your television screen.
- Sit at a reasonable distance from your television screen.
- Take a break for ten minutes every hour.

You should avoid using the Web if you are tired or have lost some sleep.

## REGULATORY INFORMATION

**CAUTION:** Do not attempt to modify your home terminal without written authorization from the manufacturer. Unauthorized modification could void your authority to operate your home terminal.

### NOTE

Your home terminal has been tested and found to comply with the limits for a Class B digital device, pursuant to Part 15 of the FCC Rules. These limits are designed to provide reasonable protection against harmful interference in a residential installation. Your home terminal generates, uses and can radiate radio-frequency energy and, if not installed and used in accordance with the instructions, may cause harmful interference to radio communications.

However, there is no guarantee that interference will not occur in a particular installation. If your home terminal does cause harmful interference to radio or television reception, which can be determined by turning your home terminal off and on, you are encouraged to try to correct the interference by one or more of the following measures:

- Reorient or relocate the receiving antenna.
- Increase the separation between your home terminal and the receiver.
- Connect your home terminal to an outlet on a circuit different from that to which the receiver is connected.
- Consult your dealer or an experienced radio/TV technician for help.

# REAR PANEL

**POWER OUTLET**  
(500 W max.)

**DIGITAL VISUAL INTERFACE (DVI)**  
Video output for **digital** HDTV  
It is a digital-only (DVI-D) interface

**VIDEO IN**  
Video baseband input

**S-VIDEO OUT**  
S-video output

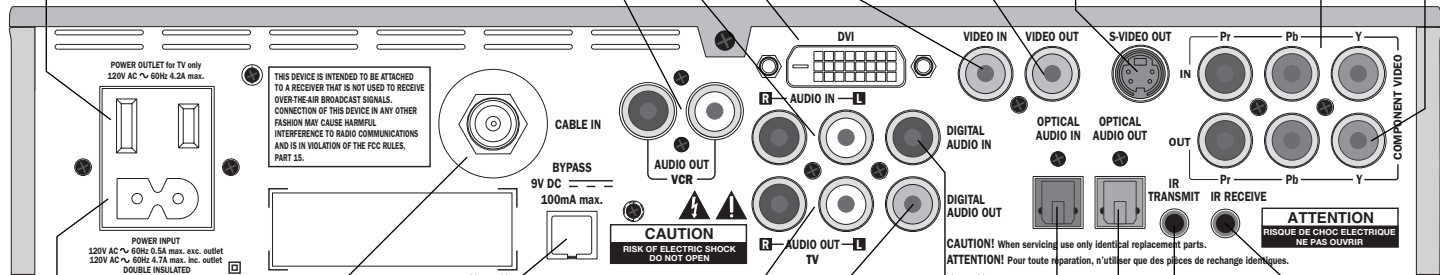
**COMPONENT VIDEO OUT**  
Component video output  
for **analog** HDTV

**AUDIO OUT**  
Audio baseband outputs  
(stereo, L and R)

**AUDIO IN**  
Audio baseband input  
(stereo, L and R)

**VIDEO OUT**  
Video baseband output

**COMPONENT VIDEO IN**  
Component **analog** video input



**CABLE IN**  
From cable service-provider

**BYPASS**  
For optional bypass module

**AUDIO OUT**  
Audio baseband outputs (stereo, L and R)

**DIGITAL AUDIO IN**  
Electrical S/PDIF audio input

**IR TRANSMIT**  
Infra-red output to control a VCR

**POWER INPUT**  
(Make this connection last of all)

**DIGITAL AUDIO OUT**  
Electrical S/PDIF audio output

**OPTICAL AUDIO IN**  
Optical S/PDIF audio input

**OPTICAL AUDIO OUT**  
Optical S/PDIF audio output

**IR RECEIVE**  
Infra-red input from a remote "eye"

POWER OUTLET	Connect the TV's power cord here to provide AC power to your TV.
POWER INPUT	Connect your home terminal's power cord here.
CABLE IN	Connect the cable service here. The optional bypass module also connects here.
BYPASS	Connect an optional bypass module here, to receive power from home terminal.
AUDIO IN	Connect to the stereo audio outputs on your DVD player (or similar).
AUDIO OUT TV and AUDIO OUT VCR	Connect to the stereo audio inputs on your stereo TV, stereo VCR or optional stereo amplifier (the output is the same from both pairs of jacks).
DIGITAL VISUAL INTERFACE (DVI)	If your HDTV has a DVI, connect it here for a <b>digital</b> video connection instead of using the 3 <b>analog</b> COMPONENT VIDEO connectors.
DIGITAL AUDIO OUT	Connect to the <b>electrical</b> digital audio input on optional digital audio equipment, such as an audio decoder or home theater receiver.
DIGITAL AUDIO IN	Connect to any digital audio output that loops through your home terminal.
VIDEO IN	Connect to the video baseband output on your DVD player (or similar).
VIDEO OUT	Connect to the video baseband input on, typically, your VCR.
OPTICAL AUDIO OUT	Connect to the optical digital audio input on optional digital audio equipment.
OPTICAL AUDIO IN	Connect to any digital audio output that loops through your home terminal.
S-VIDEO OUT	Connect to the S-video baseband input (if present) on, typically, your VCR.
COMPONENT VIDEO OUT	If your HDTV does <b>not</b> have a DVI (see above), connect your HDTV here.
COMPONENT VIDEO IN	Connect equipment such as a DVD player; if it has component video jacks.
IR TRANSMIT	Connect to an optional VCR controller.
IR RECEIVE	Connect to an optional "remote eye" IR receiver.

### WARNINGS

Do not connect your home terminal (or any other equipment such as a TV or VCR) to the AC power supply until you have properly connected all the other cables.

Disconnect your home terminal from the AC power supply before you disconnect any other equipment from its rear panel.

The power outlet is designed only for connection to the AC power cord for a TV. The maximum power it can supply is 500 watts. Do not connect any equipment that uses more than 500 watts, or any non-TV equipment such as a toaster or hair drier.

The cable input is designed for connection to a cable network only. You must not connect any other equipment, such as a VCR, to this input.

Any cable connected to DIGITAL AUDIO jacks must be 75 ohm coaxial, not regular audio cable.

## CONNECTING TO THE AC POWER SUPPLY

### WARNINGS

Do not connect your home terminal (or any other equipment such as a TV or VCR) to the AC power supply until you have properly connected all the other cables.

Do not defeat the safety purpose of the polarized plugs on power cords. A polarized plug has two blades with one wider than the other. This plug fits into the outlet in only one way; match the wide blade of the plug to the wide slot of the outlet.

Disconnect your home terminal from the AC power supply before you disconnect any other equipment from its rear panel.

The only way to disconnect your home terminal from the AC power supply is to remove the AC power cord (or switch the wall socket-outlet switch, if present, to its OFF position). Your home terminal must therefore be installed near to the AC power socket-outlet, which should be easily accessible.

### CONNECTING YOUR TV TO THE AC POWER SUPPLY

If your TV has a rating of less than 500 W, connect the power cord from your TV into the connector labeled "POWER OUTLET" on the rear panel of your home terminal. This saves a wall outlet (although, if your TV is rated 500 W or more, you must connect it to a wall outlet).

### CONNECTING THE POWER CORD TO YOUR HOME TERMINAL

Before you connect your home terminal to a wall outlet, connect the polarized socket on the power cord into the plug labeled "POWER INPUT" on your home terminal's rear panel.

### CONNECTING EQUIPMENT TO THE AC WALL OUTLETS

Connect the polarized plugs on the power cords from your home terminal, VCR and any other equipment into AC wall outlets. If these outlets have switches, switch them to ON.

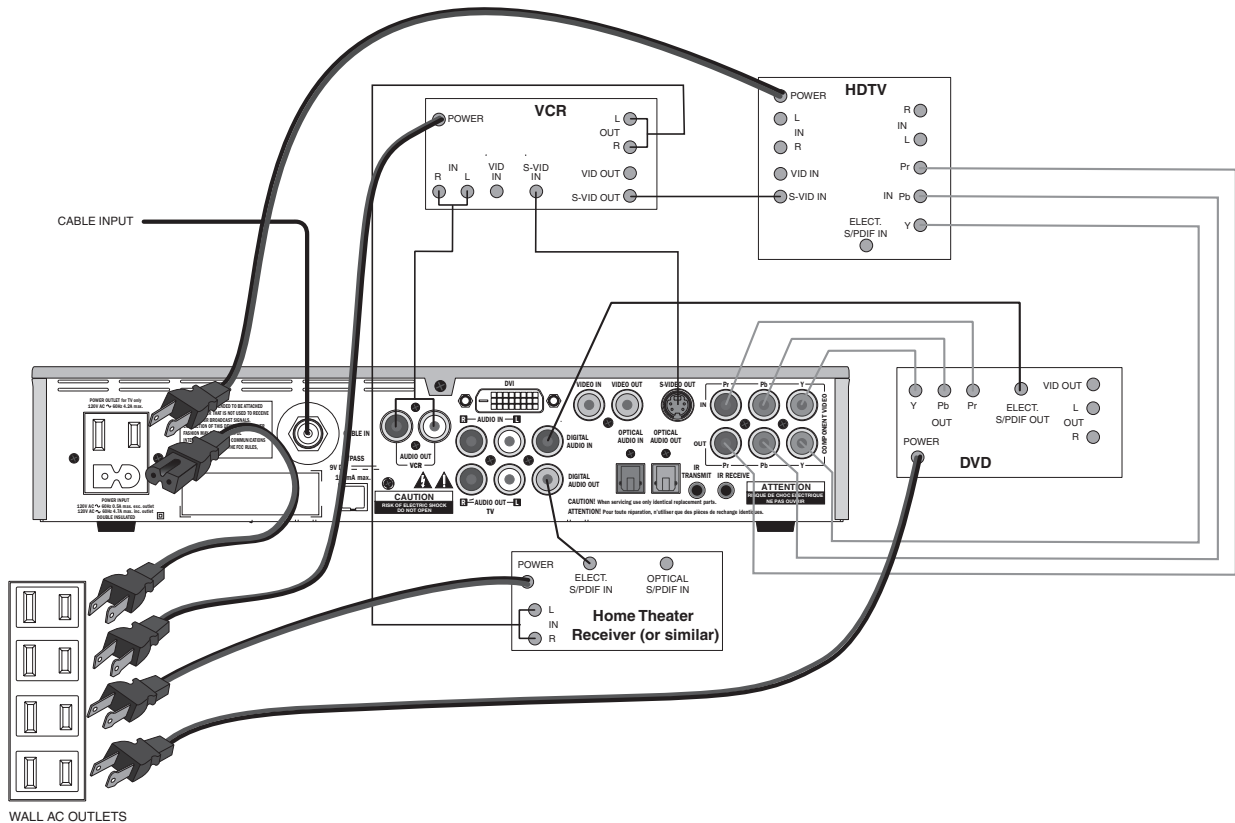
### NOTE

On pages 11 and 12 there are two typical connection set-ups for an HDTV, VCR, DVD player and home theater receiver.

These set-ups make efficient use of the connectors on your home terminal. However, depending on your other equipment and the connectors on it, the person who installed your system may have chosen to connect things up differently.



# CONNECTION TO THE AC POWER SUPPLY (CONT.)



## TURNING YOUR HOME TERMINAL ON AND OFF

### NOTE

It is important to wait for the time to appear on the front-panel display before you turn on your home terminal. When the time appears, your home terminal has received all its data from the cable, including any updates that are available.

After you have connected your home terminal to the AC wall outlet (and switched this outlet ON, if it has a switch), wait until you can see the time on its front-panel display.

Press the button labeled **POWER** on the front panel of your home terminal to turn it on. The light around the **POWER** button goes from red to green, to show that your home terminal is ON.

To turn your home terminal on or off at any time, press the **POWER** button on its front panel or the **CBL** button on your remote control.

### NOTES

It is important that, unless there is a lightning storm or you will be away from your home for a long time, you do not unplug your home terminal at the wall AC outlet (or do not switch it off there, if the outlet has a switch). Your home terminal can not be updated with new features, through the cable, if it is disconnected from the AC power supply.

You can use the General Settings screen to set the POWER OUTLET (AC Outlet) on your home terminal to be “Always on” or “On with cable box (Settop)”. With this second setting, a TV attached to POWER OUTLET will turn off when you turn off your home terminal and will turn on when you turn on your home terminal.



*Wait for the time to appear on the front-panel display.*



*To turn on your home terminal, press the power button.*

*The light around the button changes from red to green.*

### USING YOUR REMOTE CONTROL

It is your cable TV service provider that determines the digital channels, services and screen information that you see on your TV when you use your home terminal and its remote control.

Consult the information supplied by your cable operator for details on how to make the most of the digital cable services. Also read the operating instructions that are supplied with your remote control.

### ACTIVATING BASEBAND LOOPTHROUGH FOR A DVD OR SIMILAR EQUIPMENT

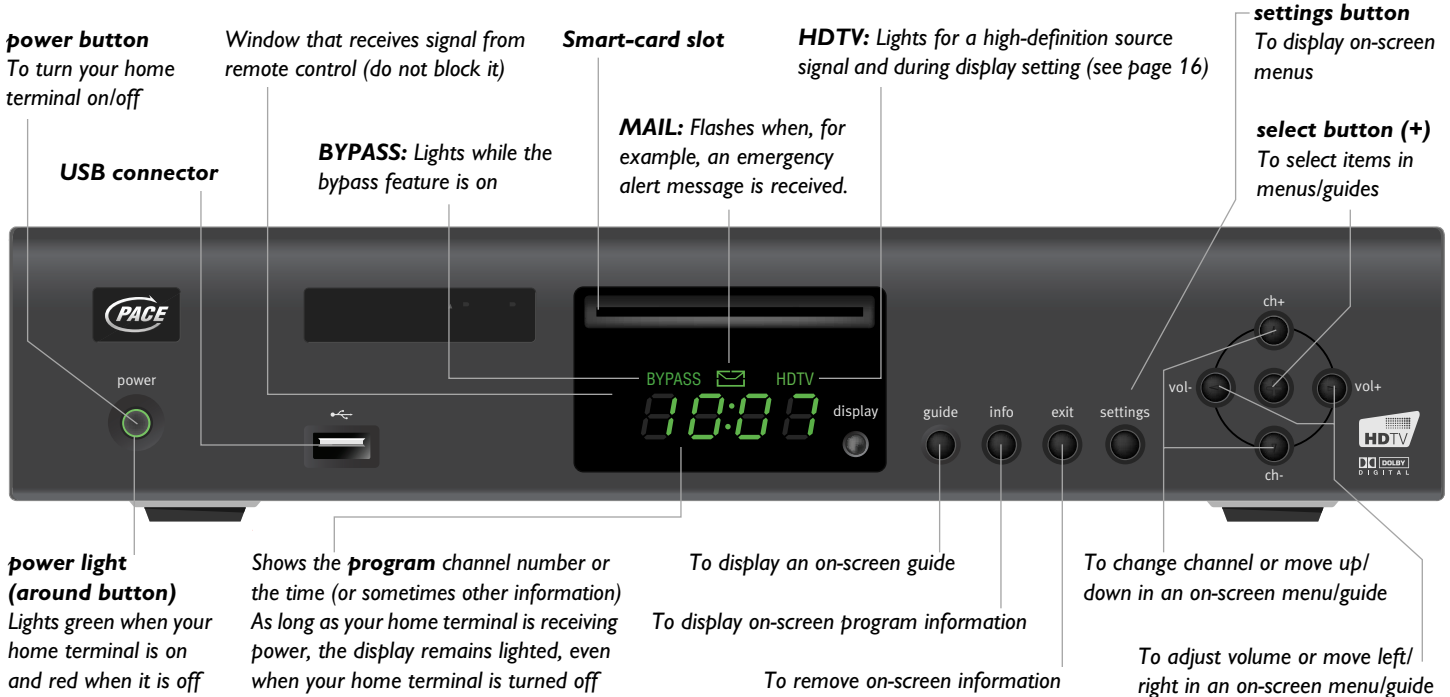
If you activate baseband loopthrough, your home terminal loops various inputs on its rear panel to corresponding outputs as shown in the table below. You need to do this if you have connected a DVD player or similar equipment and wish to watch it on your TV.

COMPONENT VIDEO IN	loops through to	COMPONENT VIDEO OUT
VIDEO IN	loops through to	VIDEO OUT
AUDIO IN	loops through to	AUDIO OUT TV and AUDIO OUT VCR
DIGITAL AUDIO IN	loops through to	DIGITAL AUDIO OUT
OPTICAL AUDIO IN	loops through to	OPTICAL AUDIO OUT

To activate baseband loopthrough, simply turn off your home terminal by pressing the **CBL** button on the remote (or the **power** button on the front panel). When your home terminal is off, the light around the **power** button is red.

## USING THE FRONT-PANEL BUTTONS

You can use the buttons on the front panel to operate your home terminal, if, for example, there is a problem with your remote control. However, to make the “HDTV-display” settings, you must use the front-panel buttons (see page 16).



### USING A BYPASS MODULE

If a bypass module has been installed on the rear panel of your home terminal, the regular (analog) channels can bypass your home terminal. For you to turn bypass on or off, your home terminal must be turned on. However, once set, the bypass will work even when your home terminal is turned off.

To turn on the bypass feature, press the **BYPASS** button on your remote control.

To turn off the bypass feature, press the **BYPASS** button again.

While the bypass is on, the word BYPASS is lighted on the front panel of your home terminal.

*When the bypass is on*, you can use the TV's remote control to tune to any of the available regular (analog) channels and watch that channel on your TV. This may be a different channel from the channel that your home terminal is tuned to. (The number of the channel it is tuned to is shown on its front panel.) You can record on your VCR the channel that your home terminal is tuned to. This means that, when the bypass is on, you can watch a regular (analog) channel on your TV and, at the same time, record a **different** channel (digital or analog) on your VCR.

*When the bypass is off*, you will see on your TV the channel that your home terminal is tuned to. This is the same channel that your VCR receives. So, when the bypass is off, you can record only the channel that you are watching on your TV.

### LIGHTNING STORMS

Occasionally, a lightning storm may affect your home terminal. It may appear that it has stopped working, but you can easily restore its operation as follows.

Unplug your home terminal's power cord at the wall AC outlet. Then plug this power cord in again at the wall AC outlet (and, if there is a switch by this outlet, switch it to its ON position).

If the installed system does not seem to be working properly, **first make sure that all the cables are securely connected**, then carry out the following checks, in the order shown.

Check	Suggested solution	Further checks, if there is still a problem
<p>Is anything lighted on your home terminal's front panel?</p> <p style="text-align: center;"><b>YES</b> ▼</p>	<p><b>NO</b> ► Power may not be reaching your home terminal. Make sure that the power cord is properly plugged in. If there is a switch by the wall AC power outlet, switch it to ON.</p>	<p>Check that the wall AC power outlet is working (for example by plugging in a lamp).</p>
<p>Does the remote control operate your home terminal?</p> <p style="text-align: center;"><b>YES</b> ▼</p> <p>Please see the next page</p>	<p><b>NO</b> ► Your home terminal may not be turned on. Check if the light around the power button on the front panel is green. If it is red, press the <b>power</b> button on the front panel to turn on your home terminal.</p>	<p>Check that nothing is blocking the path from your remote control to the front panel (or remote eye, if you are using one).</p> <p>Check that your remote control is currently set to operate your home terminal (consult the instructions supplied with your remote control). If your remote control will still not operate your home terminal, replace the batteries in your remote control.</p> <p>If there is still a problem, try to operate your home terminal by using its front-panel buttons. If this works, then your remote control may be faulty.</p>

## SOLVING PROBLEMS (CONT.)

Check	Suggested solution	Further checks, if there is still a problem
<p>Can you see a picture on your TV screen?</p> <p style="text-align: right;"><b>NO</b> ▶</p> <p style="text-align: center;"><b>YES</b> ▼</p>	<p>Your TV and other equipment may not be turned on. Check that they are plugged into AC power outlets and turned on.</p> <p><b>Note:</b> In the General Settings screen, “AC Outlet” may be set to “On with cable box (Settop)”. If you have connected your TV to the POWER OUTLET (AC outlet) on your home terminal, the setting “On with cable box (Settop)” means that, when you turn off your home terminal, your TV will turn off, and, when you turn on your home terminal, your TV will turn on. You may wish to keep this feature, or you may wish to set “AC Outlet” to “Always on”.</p>	<p>Make sure the bypass feature is turned OFF (the word <b>BYPASS</b> on the front panel is not lighted). Check that you have selected the appropriate AV input on your TV: DVI, COMPONENT VIDEO (YPbPr) or VIDEO IN (depending on how your system is connected up).</p> <p>If the video path between your home terminal and your TV loops through other equipment (such as a VCR) you may need to turn off this equipment for the loophrough to work.</p> <p>If your TV is connected to the DVI connector, check if the screen resolution is set to <b>480i</b>. There is no output from the DVI connector for this resolution setting, so set a different one. Also, the component video (YPbPr) jacks on some HDTVs do not accept a <b>480i</b> input.</p>
<p>Is the picture distorted or too small?</p> <p style="text-align: right;"><b>YES</b> ▶</p> <p style="text-align: center;"><b>NO</b> ▼</p> <p>Please see the next page</p>	<p>Check that the screen resolution and aspect ratio, as set on your home terminal, are appropriate for your TV. Change them if necessary.</p>	<p>If the screen resolution and aspect ratio seem to be correct, try to improve the picture by using the zoom control on your TV's remote control or the appropriate button on your home terminal's remote control (consult the instructions that came with your TV and remote control).</p>

Check	Suggested solution	Further checks, if there is still a problem
<p>Can you display menus and guides on the screen?</p> <p style="text-align: center;"><b>NO</b> ▶</p> <p style="text-align: center;"><b>YES</b> ▼</p>	<p>If your TV is connected to the VIDEO OUT or S-VIDEO OUT jacks, then you will see menus and guides only if the screen resolution is set to <b>480i</b>.</p>	<p>Check the resolution setting and change it if necessary.</p>
<p>Is there any sound?</p> <p style="text-align: center;"><b>NO</b> ▶</p> <p style="text-align: center;"><b>YES</b> ▼</p>	<p>Check that the audio cables are securely and correctly connected.</p>	<p>Check that you have not muted the sound on your home terminal and/or TV. Adjust the volume control on your home terminal and/or TV. If you can hear only mono sound, first check that the program is likely to have stereo sound (an old movie, for example, may not be in stereo).</p>
<p>Can you see and hear a DVD that you are trying to play?</p> <p style="text-align: center;"><b>NO</b> ▶</p> <p style="text-align: center;"><b>YES</b> ▼</p>	<p>For the signal to loop through your home terminal from a DVD (or similar equipment) to reach your TV, you must activate baseband loopthrough by turning off your home terminal.</p>	<p>Check that all the audio and video cables are securely and correctly connected, including any to a home theater receiver that you may be using to enhance the sound.</p>
<p>Can you see only regular (analog) channels but not any digital channels?</p> <p style="text-align: center;"><b>YES</b> ▶</p>	<p>The bypass feature may be turned on. Press the <b>BYPASS</b> button on your remote control to turn the feature OFF (make sure the word <b>BYPASS</b> is not lighted on the front panel).</p>	



[www.pacemicro.com](http://www.pacemicro.com)

Pace and  are trademarks and/or registered trademarks of Pace Micro Technology plc.

**502-1405602**